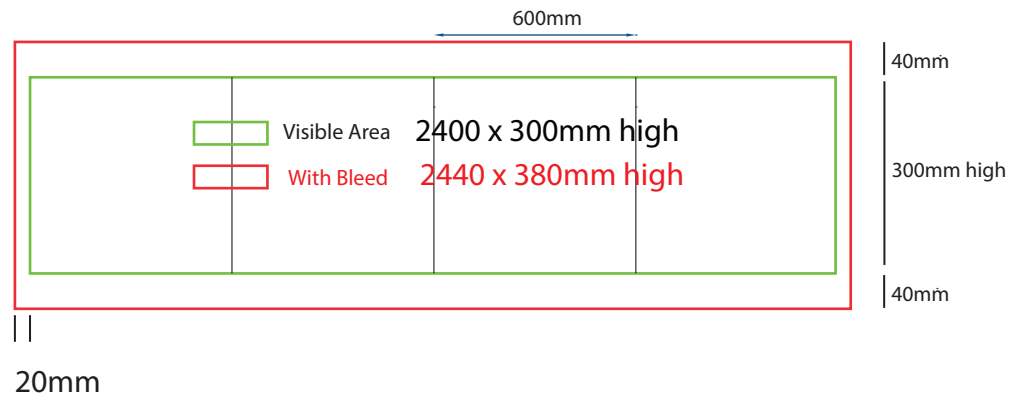


Plinth Sock

600mm sq x 300mm high



www.maxdisplays.com.au

How to Setup Print Ready Artwork

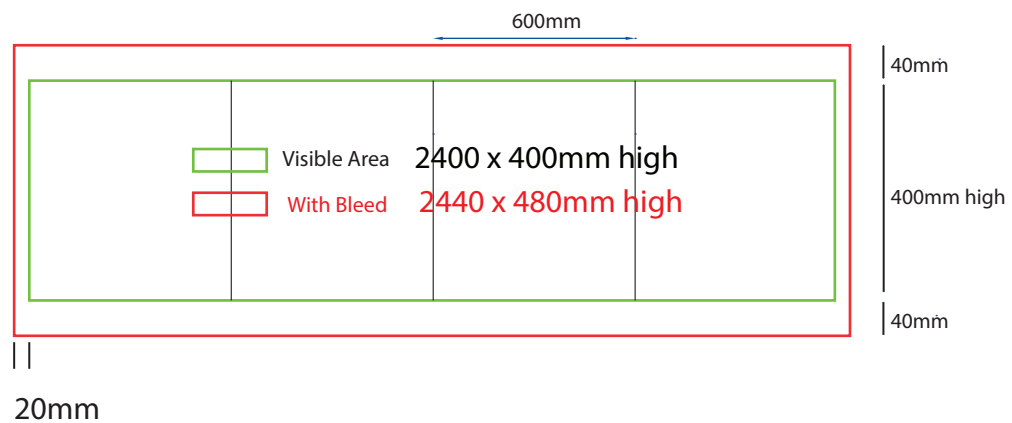
- Convert all text to outlines
- Embed all images and elements as per template
- No trim, crop or registration marks
- Artwork supplied as a PDF
- Bitmap images no less than 130 DPI

Sending Us Your Files

- Files under 10MB email to design@maxdisplays.com.au
- Over 10MB files, send download links to our email or click the link below to upload files: www.maxdisplays.com.au

Plinth Sock

600mm sq x 400mm high



How to Setup Print Ready Artwork

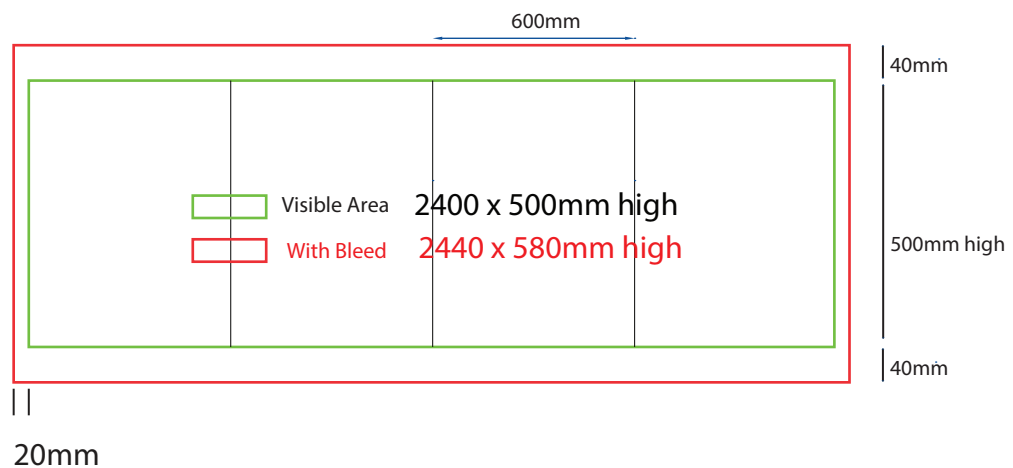
- Convert all text to outlines
- Embed all images and elements as per template
- No trim, crop or registration marks
- Artwork supplied as a PDF
- Bitmap images no less than 130 DPI

Sending Us Your Files

- Files under 10MB email to design@maxdisplays.com.au
- Over 10MB files, send download links to our email or click the link below to upload files: www.maxdisplays.com.au

Plinth Sock

600mm sq x 500mm high



How to Setup Print Ready Artwork

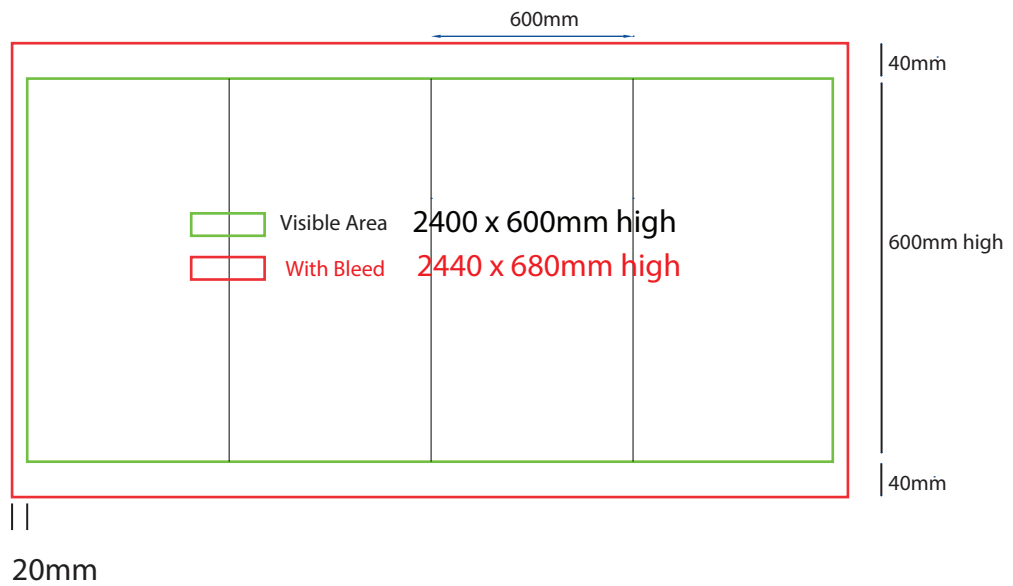
- Convert all text to outlines
- Embed all images and elements as per template
- No trim, crop or registration marks
- Artwork supplied as a PDF
- Bitmap images no less than 130 DPI

Sending Us Your Files

- Files under 10MB email to design@maxdisplays.com.au
- Over 10MB files, send download links to our email or click the link below to upload files: www.maxdisplays.com.au

Plinth Sock

600mm sq x 600mm high



How to Setup Print Ready Artwork

- Convert all text to outlines
- Embed all images and elements as per template
- No trim, crop or registration marks
- Artwork supplied as a PDF
- Bitmap images no less than 130 DPI

Sending Us Your Files

- Files under 10MB email to design@maxdisplays.com.au
- Over 10MB files, send download links to our email or click the link below to upload files: www.maxdisplays.com.au